

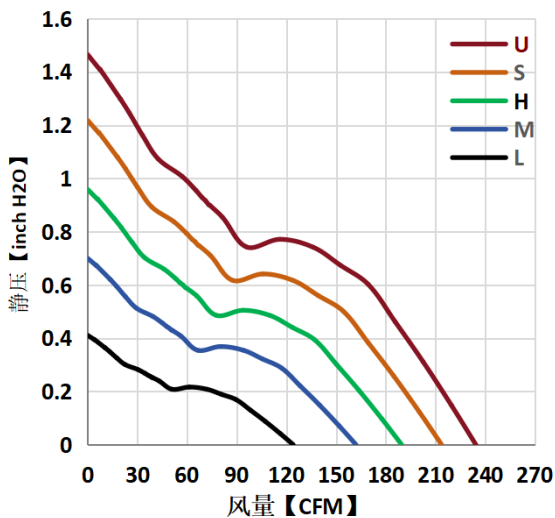
120x120x38mm



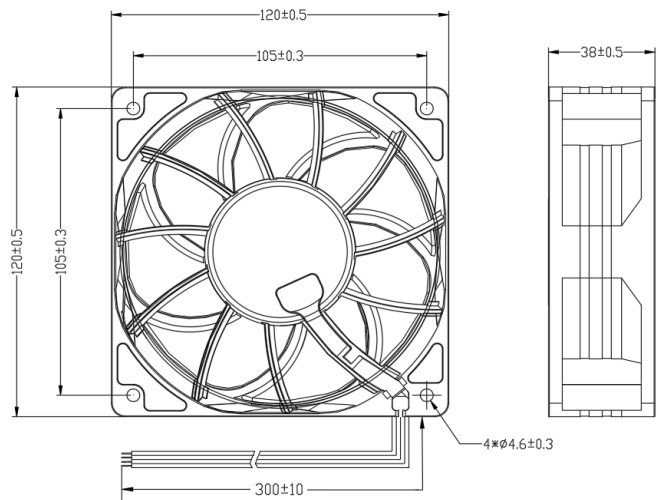
产品系列 JC12038-03
 Produce Series JC12038-03
 扇叶材料 PBT 94V-0
 Fan Blade Material PBT 94V-0
 扇框材料 PBT 94V-0
 Fan Frame Material PBT 94V-0
 轴承结构 双滚珠(B)
 Bearing Structure Double ball bearing
 工作温度 -20°C~70°C
 Operation Temperature -20°C~70°C

型号 Model	电压 Reted voltage [V]	电流 Reted current [mA]	功率 Reted input [W]	转速 Reted speed [R.P.M]	风量 Air flow [CFM]	风压 Statc pressure [inchH2O]	噪音 Noise [dBA]
JC12038B12L-3	12	433	5.2	3600	124.1	0.411	42.8
JC12038B12M-3		963	11.6	4700	162.0	0.700	50.5
JC12038B12H-3		1542	18.5	5500	189.6	0.959	53.1
JC12038B12S-3		2209	26.5	6200	213.7	1.218	56.8
JC12038B12U-3		2650	31.8	6800	234.4	1.465	60.5
JC12038B24L-3	24	238	5.7	3600	124.1	0.411	42.8
JC12038B24M-3		529	12.7	4700	162.0	0.700	50.5
JC12038B24H-3		848	20.4	5500	189.6	0.959	53.1
JC12038B24S-3		1215	29.2	6200	213.7	1.218	56.8
JC12038B24U-3		1457	35.0	6800	234.4	1.465	60.5
JC12038B48L-3	48	131	6.3	3600	124.1	0.411	42.8
JC12038B48M-3		291	14.0	4700	162.0	0.700	50.5
JC12038B48H-3		467	22.4	5500	189.6	0.959	53.1
JC12038B48S-3		668	32.1	6200	213.7	1.218	56.8
JC12038B48U-3		802	38.5	6800	234.4	1.465	60.5

基本参数 Basic parameters



产品尺寸 Dimensions



单位/Unit: mm

深圳市健策电子有限公司