

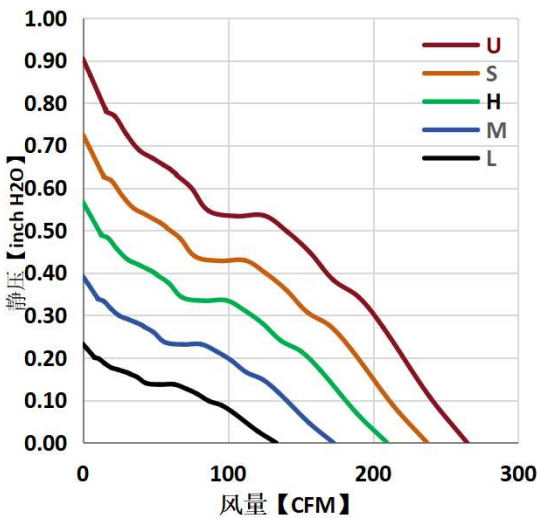


140x140x38mm

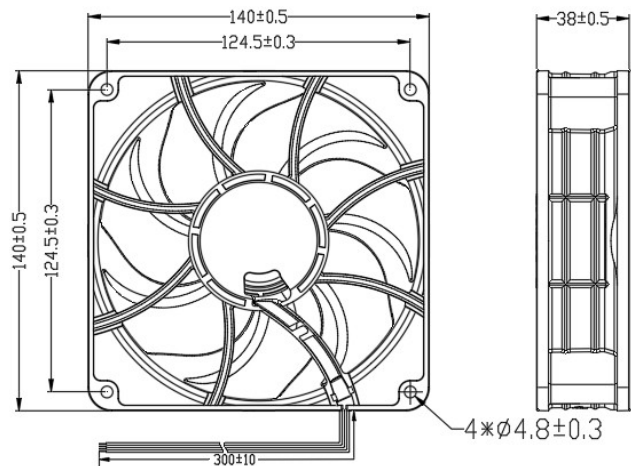
- 产品系列 ..... JC14038-02  
Produce Series ..... JC14038-02
- 扇叶材料 ..... PBT 94V-0  
Fan Blade Material ..... PBT 94V-0
- 扇框材料 ..... PBT 94V-0  
Fan Frame Material ..... PBT 94V-0
- 轴承结构 ..... 双滚珠(B)  
Bearing Structure ..... Double ball bearing
- 工作温度 ..... -20°C~70°C  
Operation Temperature ..... -20°C~70°C

型号 Model	电压 Rated voltage [V]	电流 Rated current [mA]	功率 Rated input [W]	转速 Rated speed [R. P. M]	风量 Air flow [CFM]	风压 Static pressure [inchH2O]	噪音 Noise [dBA]
JC14038B12L-2	12	470	5.6	2300	133.3	0.233	37.8
JC14038B12M-2		1151	13.8	3100	172.8	0.392	44.2
JC14038B12H-2		2120	25.4	3800	209.7	0.567	50.4
JC14038B12S-2		3072	36.9	4300	237.3	0.726	53.2
JC14038B12U-2		3884	46.6	4800	264.9	0.905	56.8
JC14038B24L-2	24	259	6.2	2300	133.3	0.233	37.8
JC14038B24M-2		633	15.2	3100	172.8	0.392	44.2
JC14038B24H-2		1166	28.0	3800	209.7	0.567	50.4
JC14038B24S-2		1689	40.5	4300	237.3	0.726	53.2
JC14038B24U-2		2136	51.3	4800	264.9	0.905	56.8
JC14038B48L-2	48	142	6.8	2300	133.3	0.233	37.8
JC14038B48M-2		348	16.7	3100	172.8	0.392	44.2
JC14038B48H-2		641	30.8	3800	209.7	0.567	50.4
JC14038B48S-2		929	44.6	4300	237.3	0.726	53.2
JC14038B48U-2		1175	56.4	4800	264.9	0.905	56.8

基本参数 Basic parameters



产品尺寸 Dimensions



单位/Unit: mm

\* 以上产品支持客制化设计需求, 请与JENTECH销售联系.  
\* 以上产品如有设计变更, 恕不另行通知, 请以规格承认书为准.